

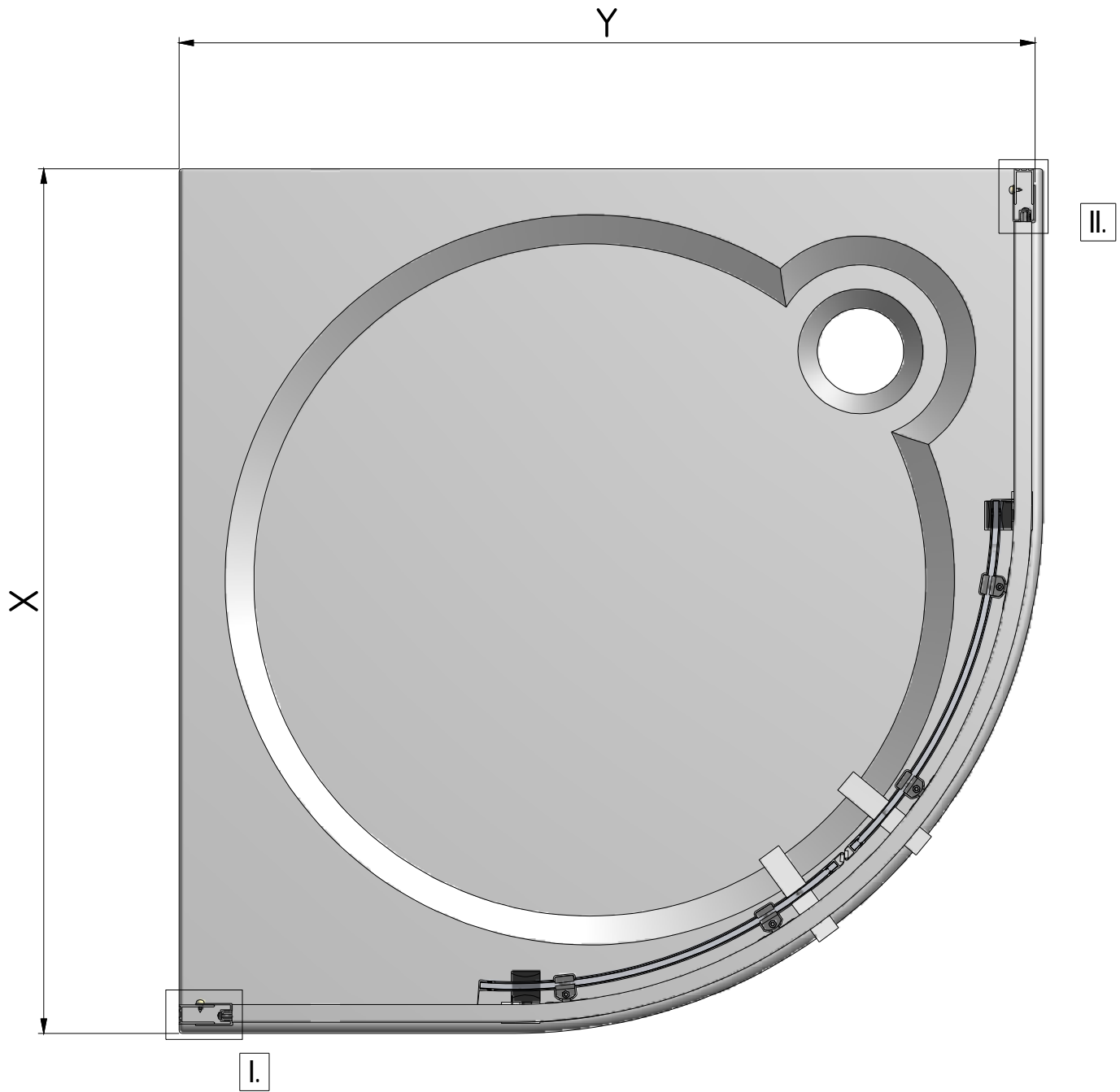
# ECR2



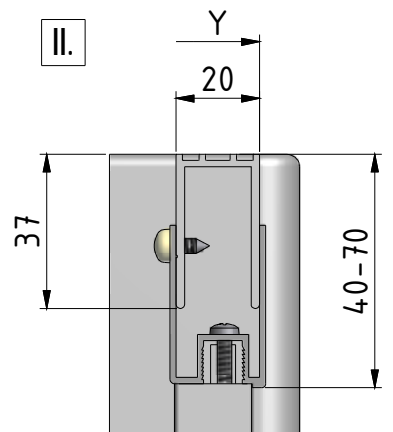
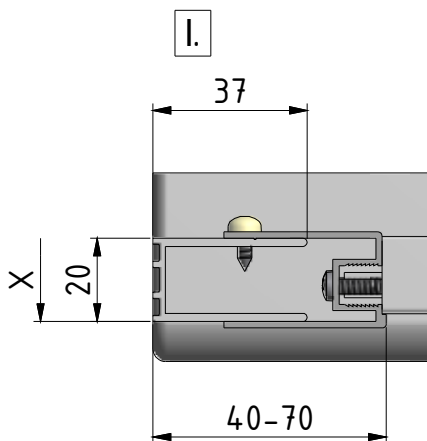
Roltechnik a.s.; Czech Republic, 56933 Třebořov 160,  
tel.: +420 461 324 301/302, fax: +420 461 324 297,  
<http://www.roltechnik.com>; e-mail: [objednavky@roltechnik.cz](mailto:objednavky@roltechnik.cz)

2015/09/07

Rev.:01  
MA3815



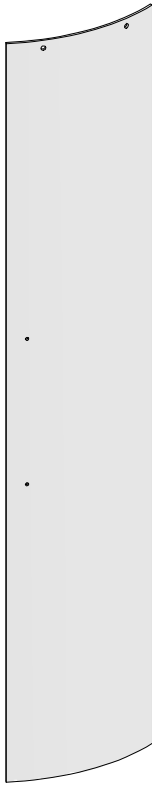
	X (MIN-MAX) mm	Y (MIN-MAX) mm
900	875-900	875-900
1000	975-1000	975-1000



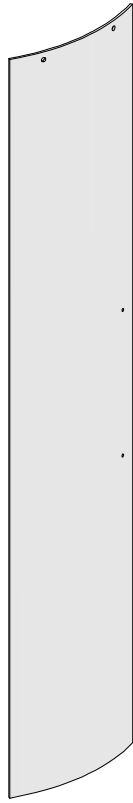
1. 1+1



3a. 1x



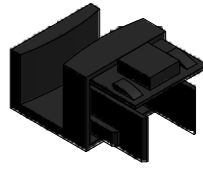
3b. 1x



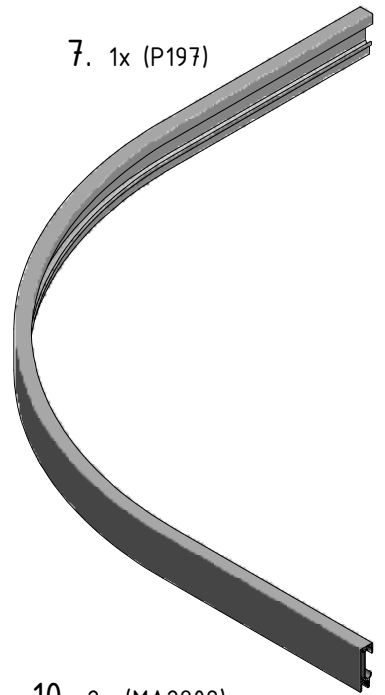
2. 2x (P200)



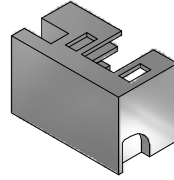
13. 2x (MA2758)



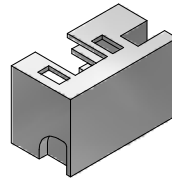
7. 1x (P197)



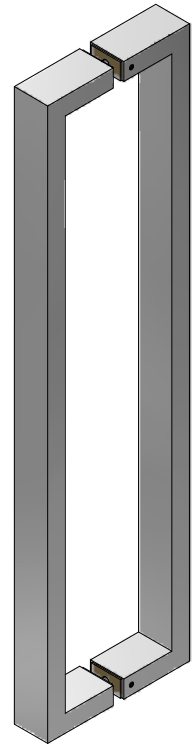
14. 1x (MA2756)



17. 1x (MA2757)



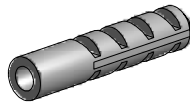
10. 2x (MA2908)



6. 6x (M1907)

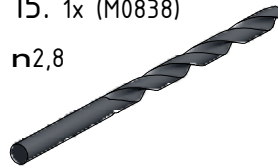


4. 6x (M0511)



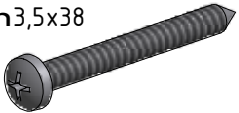
15. 1x (M0838)

n2,8



5. 6x (M0795)

n3,5x38

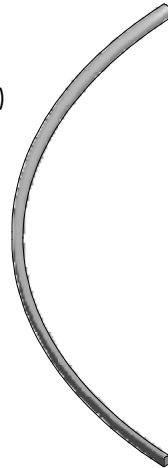


12. 6x (M0806)

n3,5x9,5



9. 2x (P198)

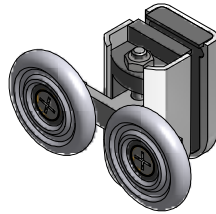


8. 4x (M0794)

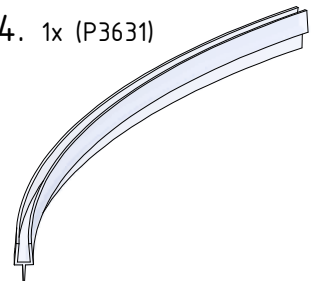
n3,5x32



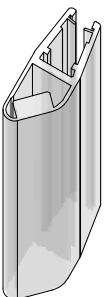
16. 4x (P3621)



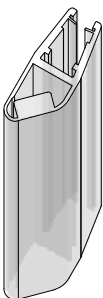
24. 1x (P3631)



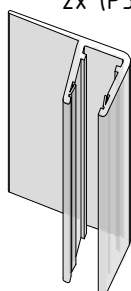
19. 1x (P3582)



20. 1x (P3581)



23. 2x (P3583)  
2x (P3584)



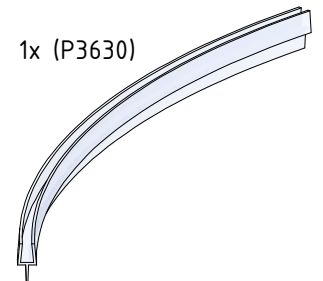
21. 1x (T30)

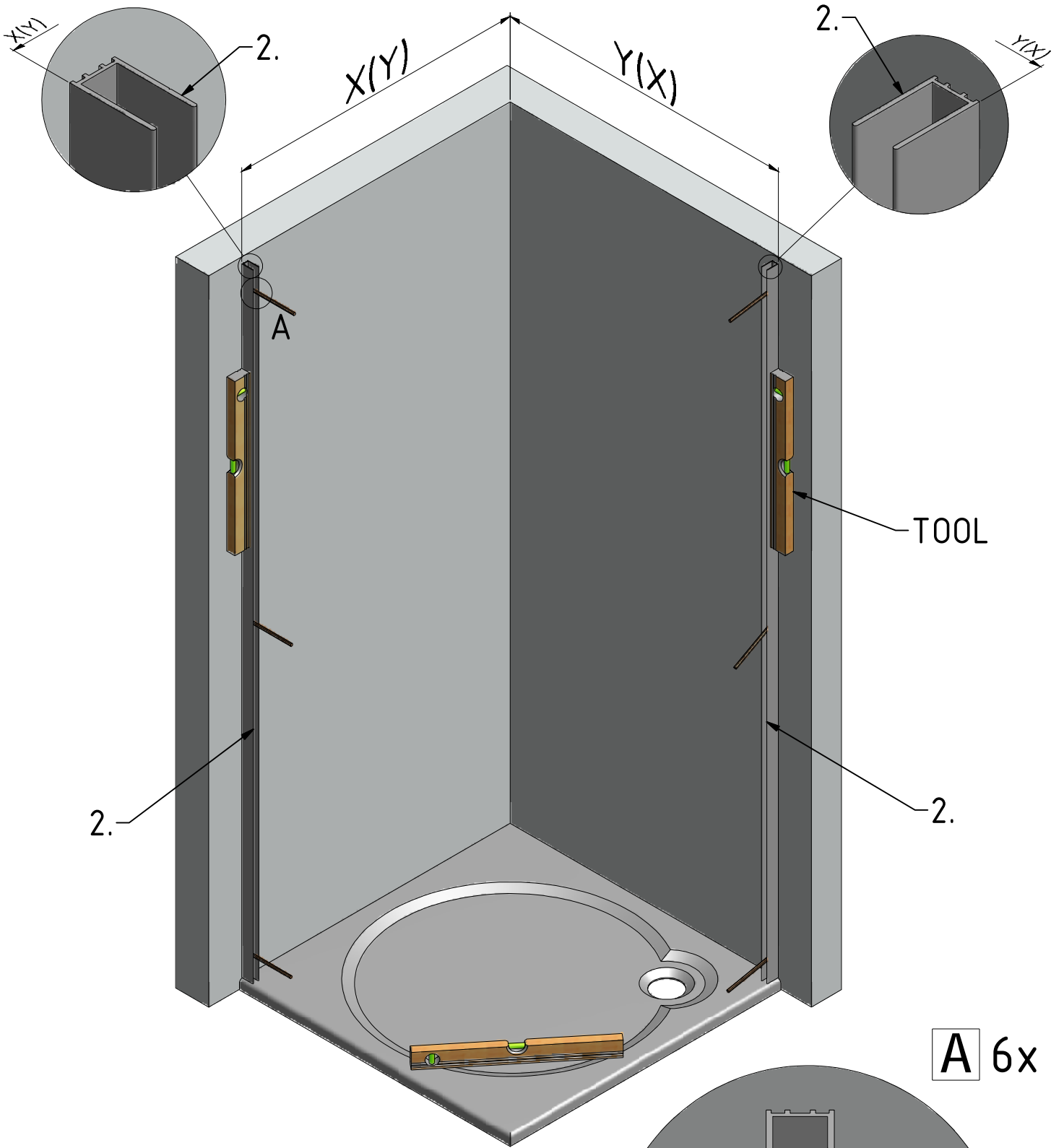


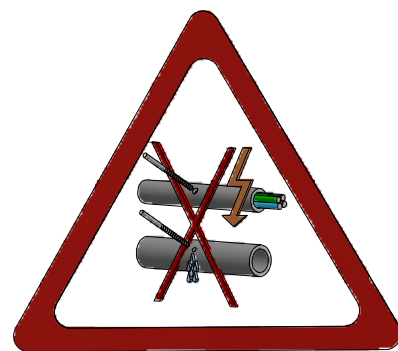
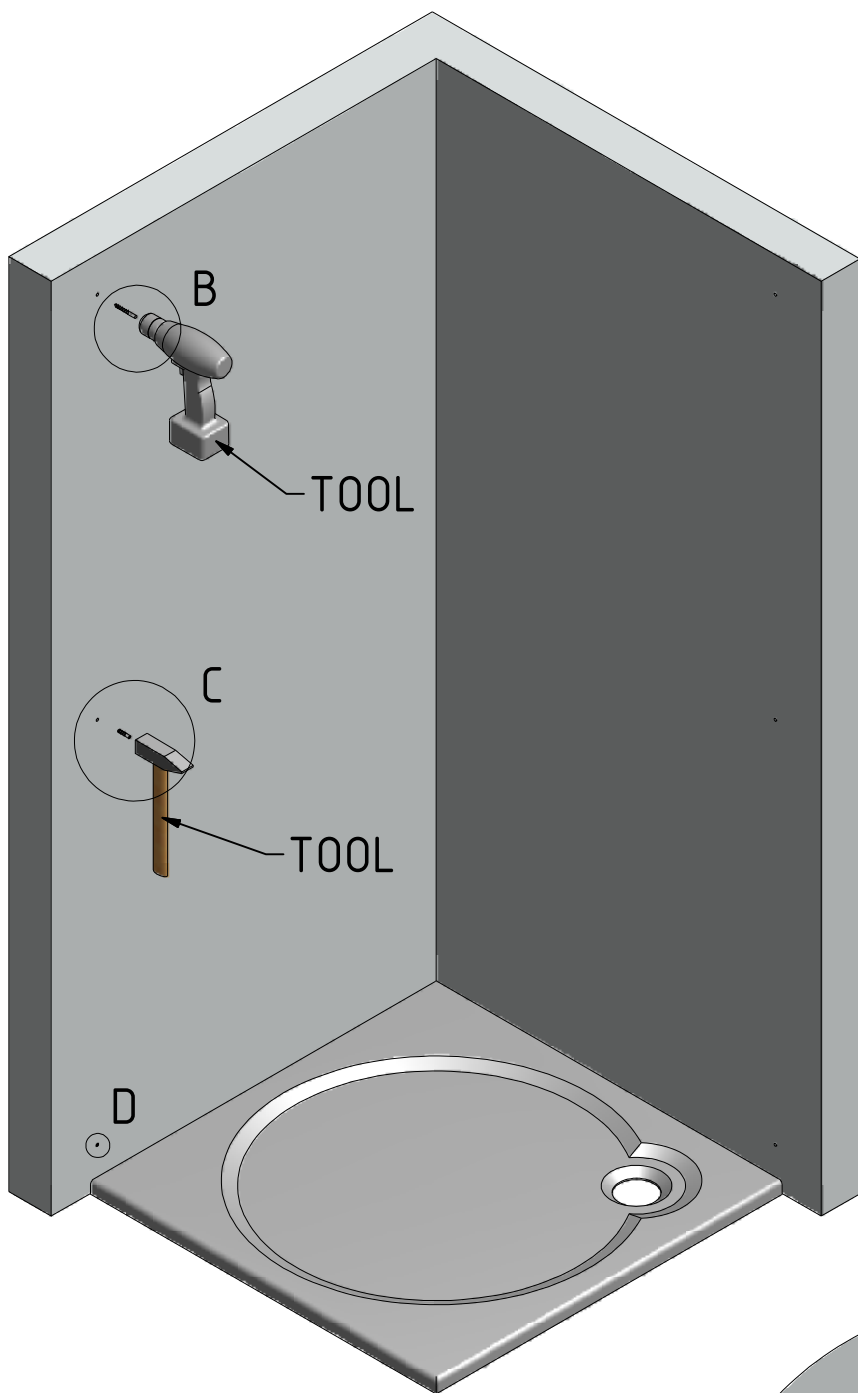
22. 2x (T29)



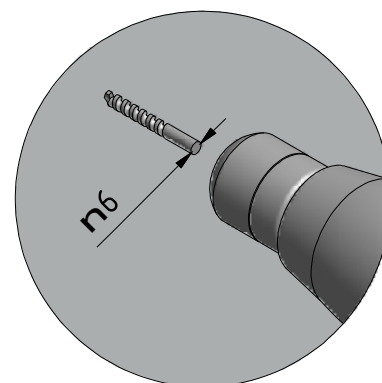
25. 1x (P3630)



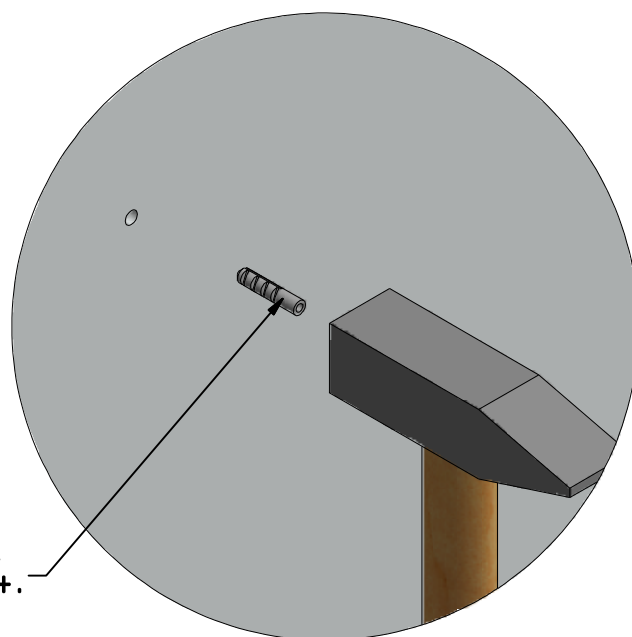




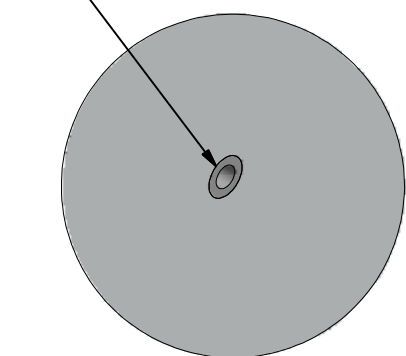
**B** 6x

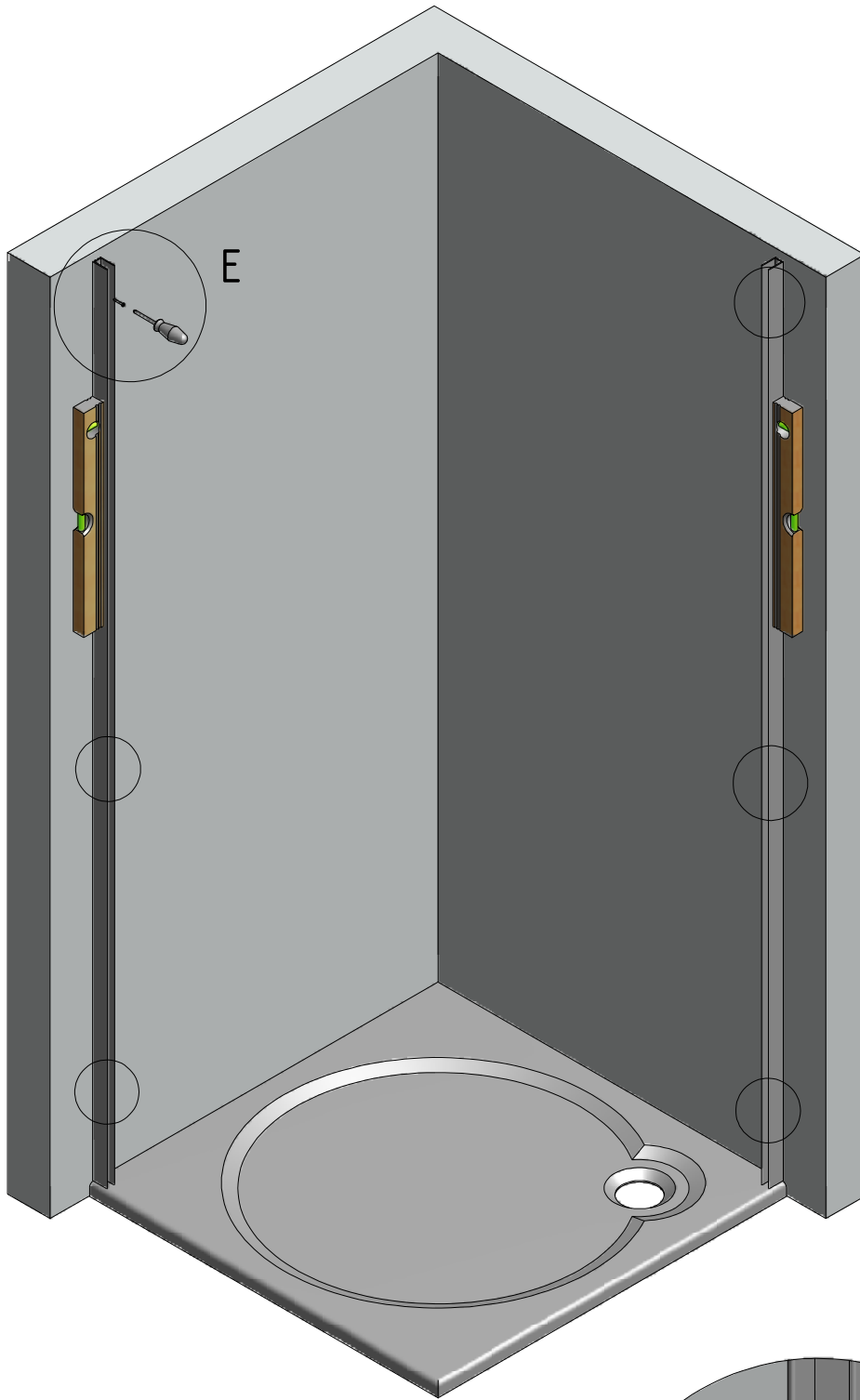


**C** 6x

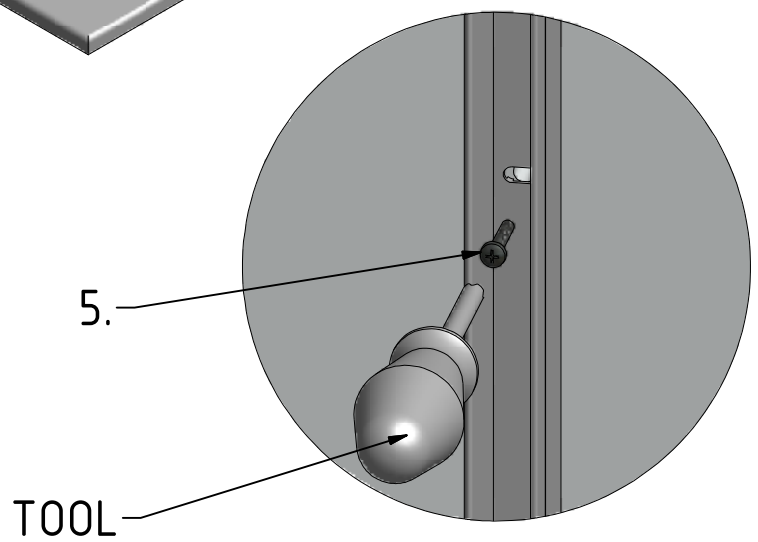


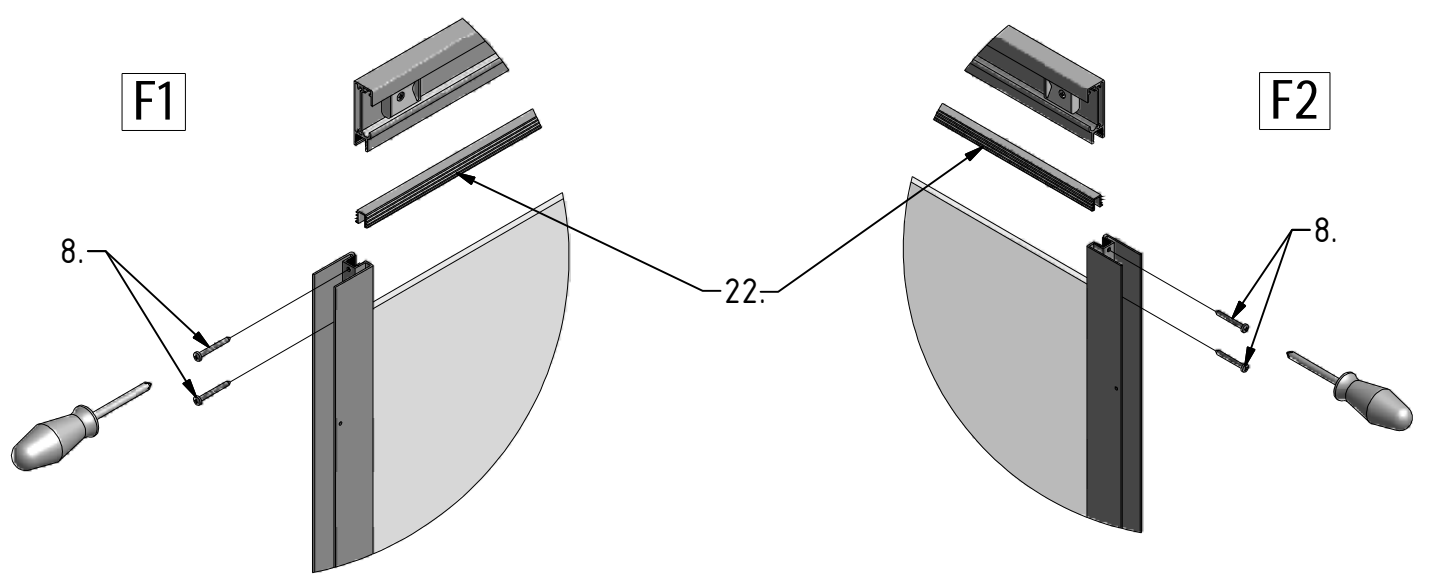
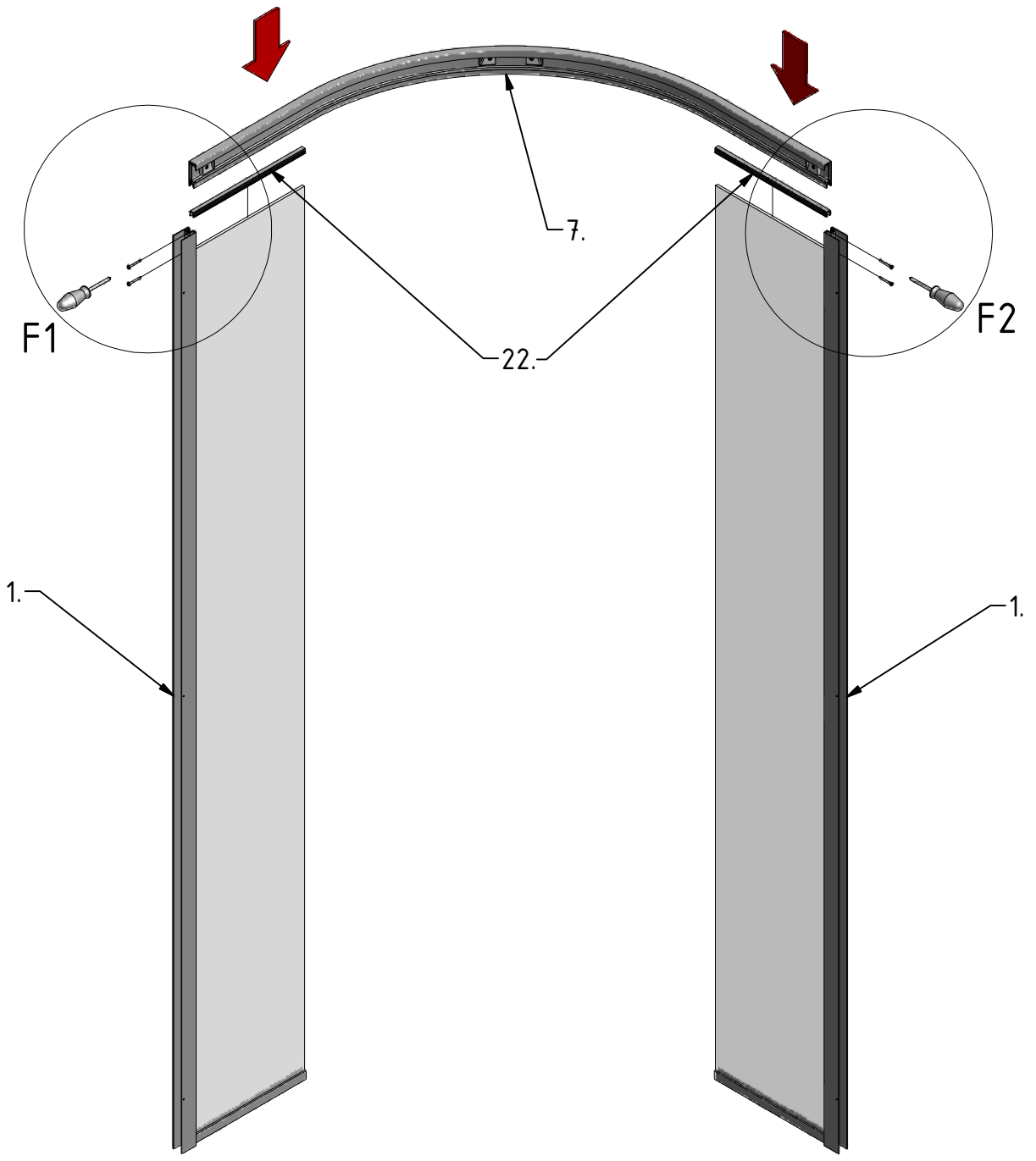
**D** 6x

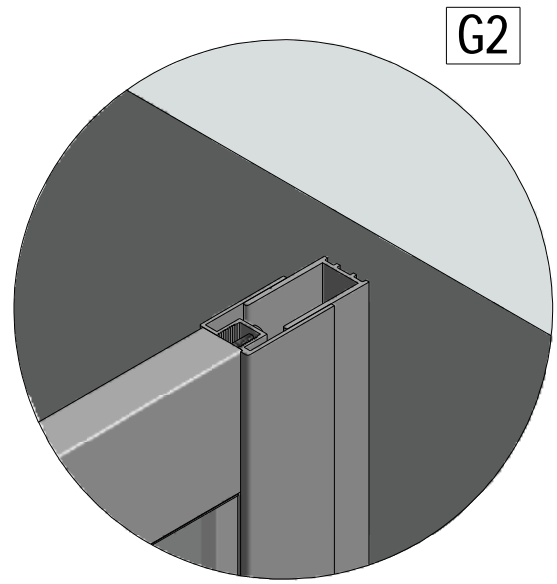
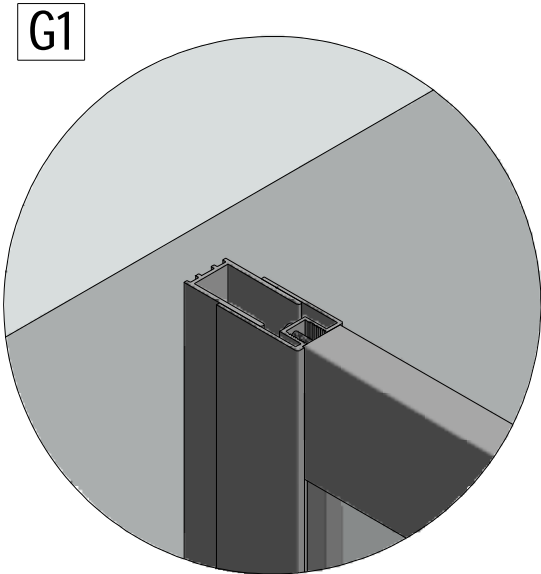
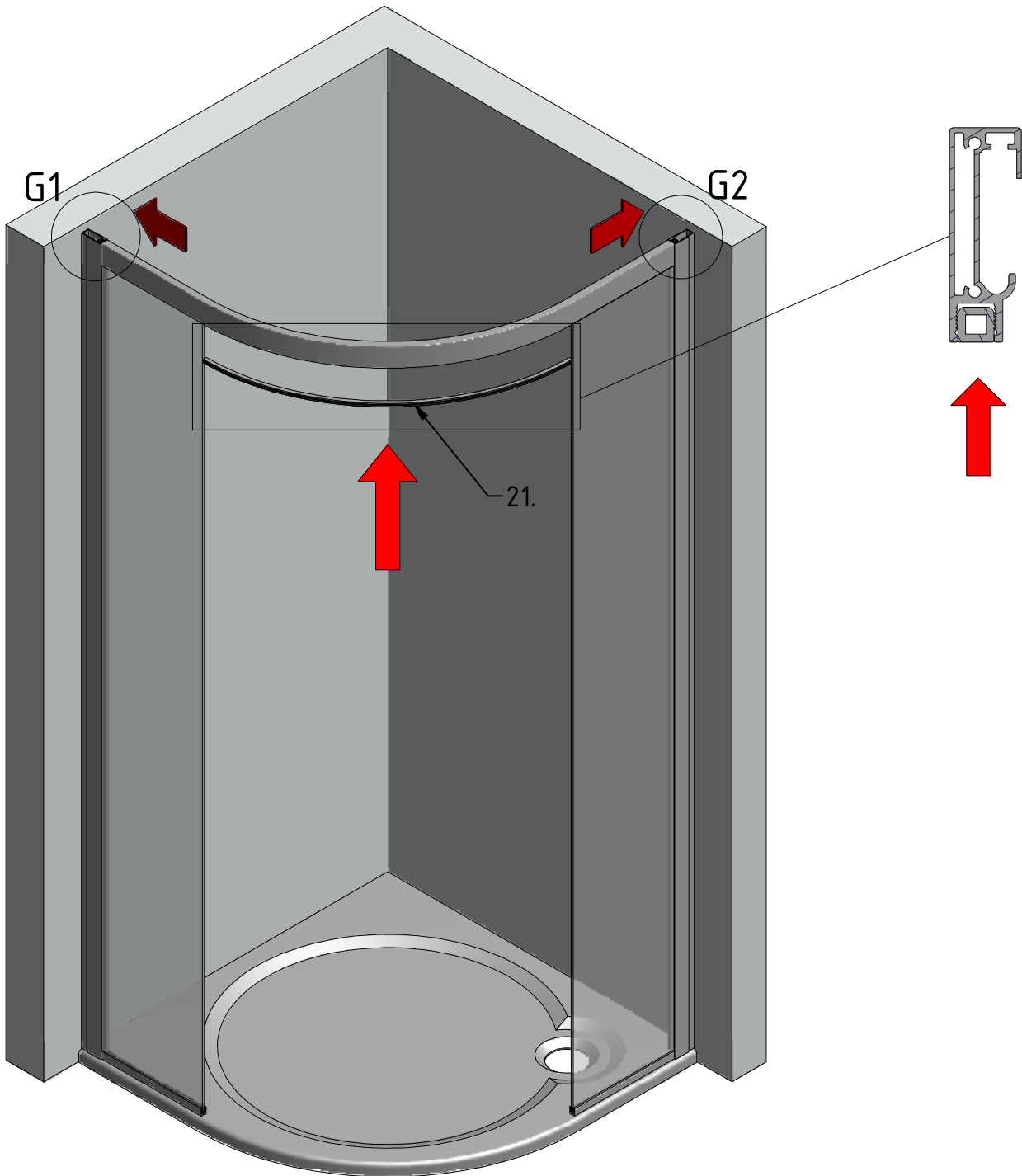




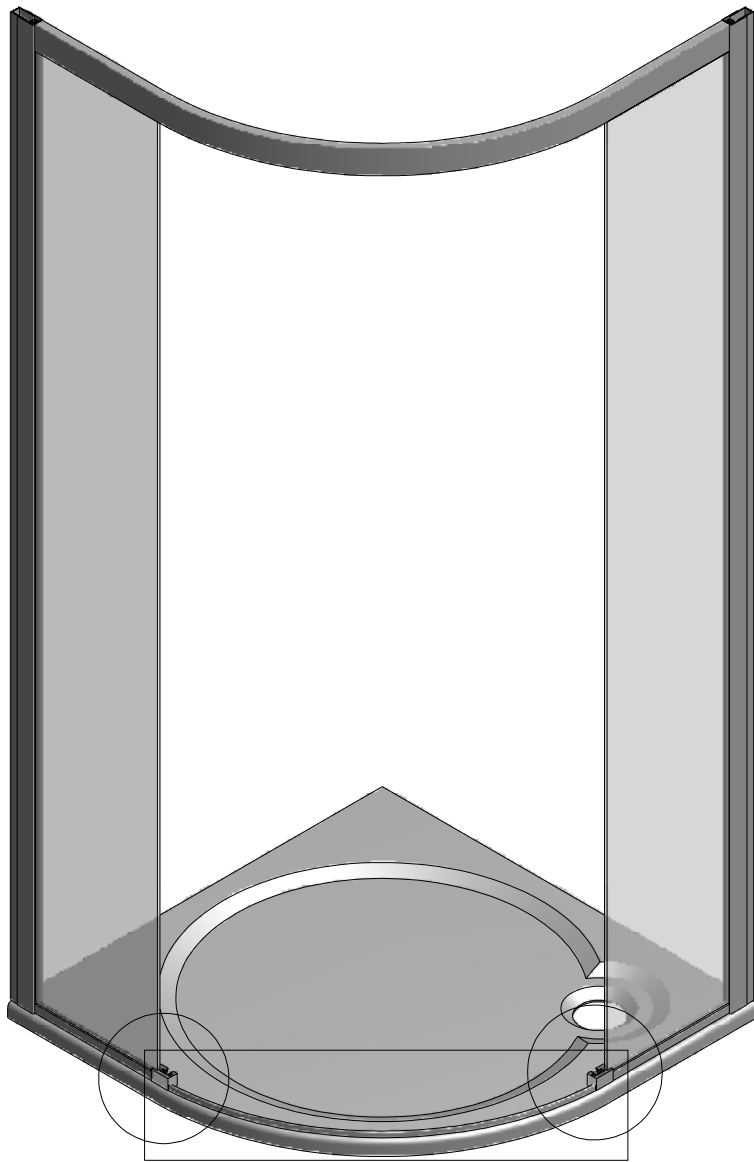
**E** 6x





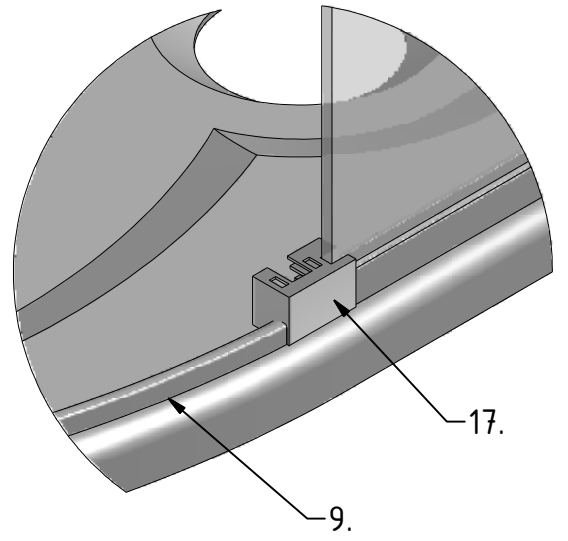




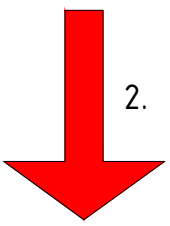
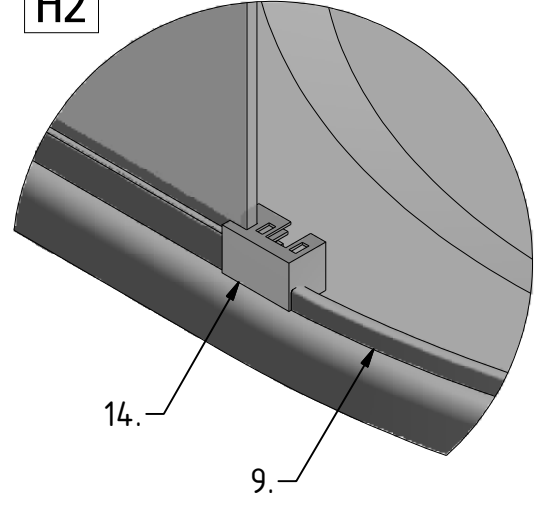


H

H1



H2



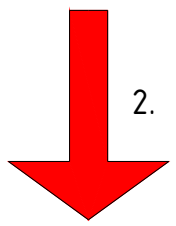
2.

14.

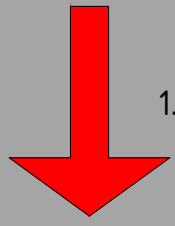
9.

H

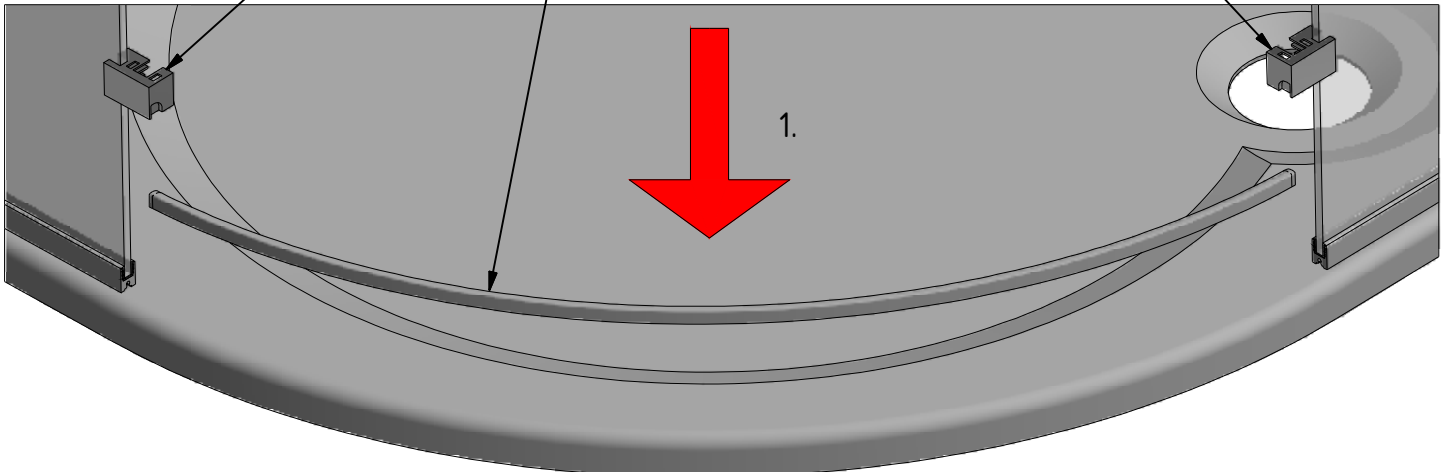
17.

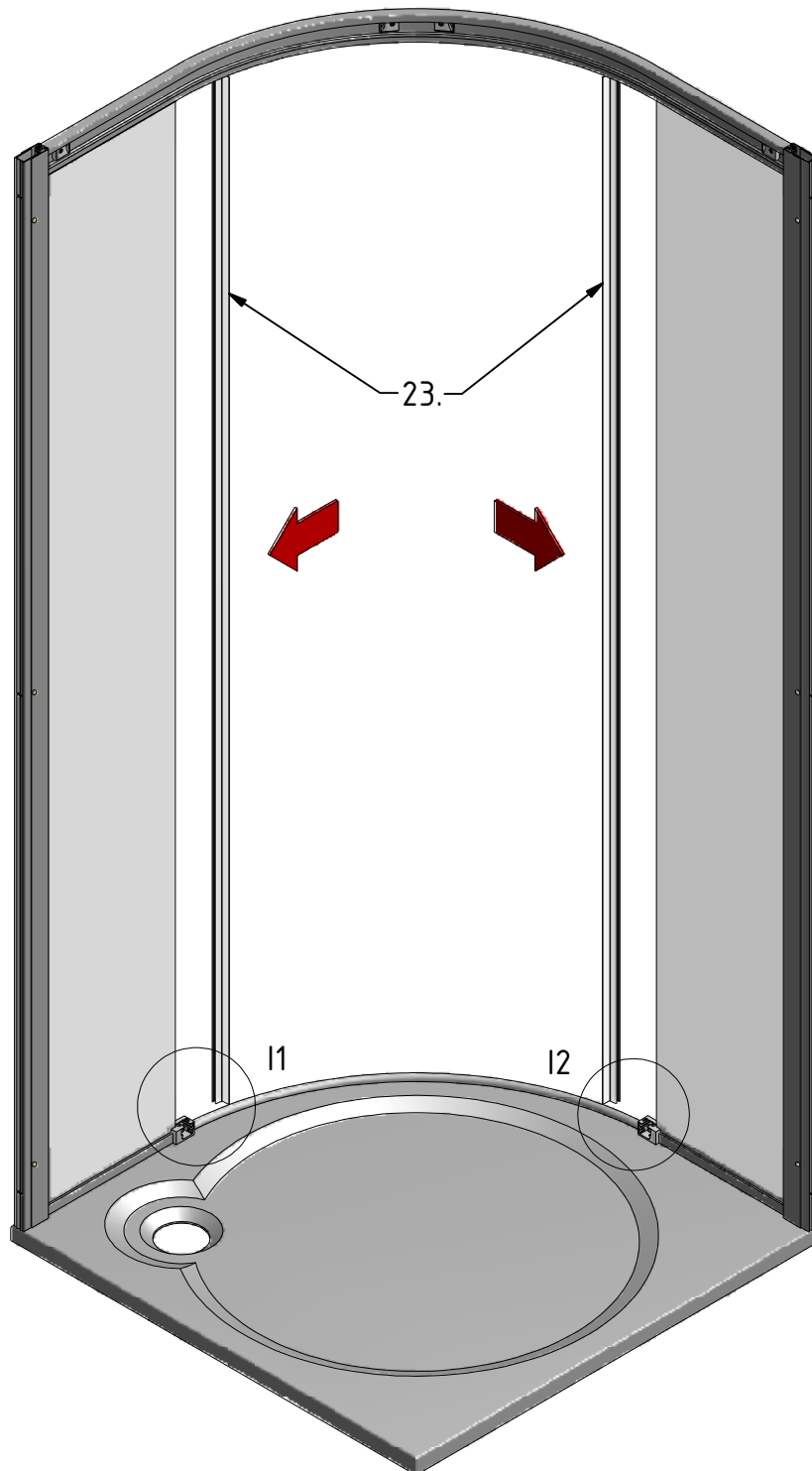


2.



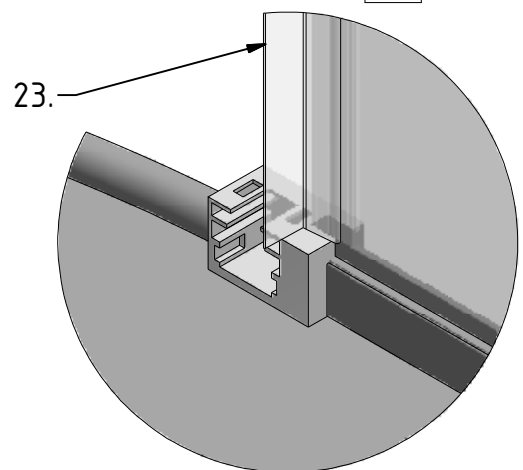
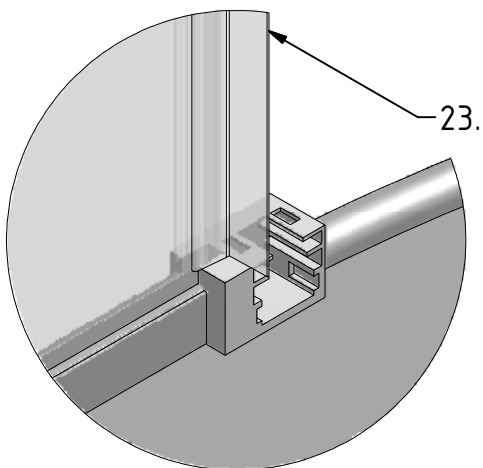
1.

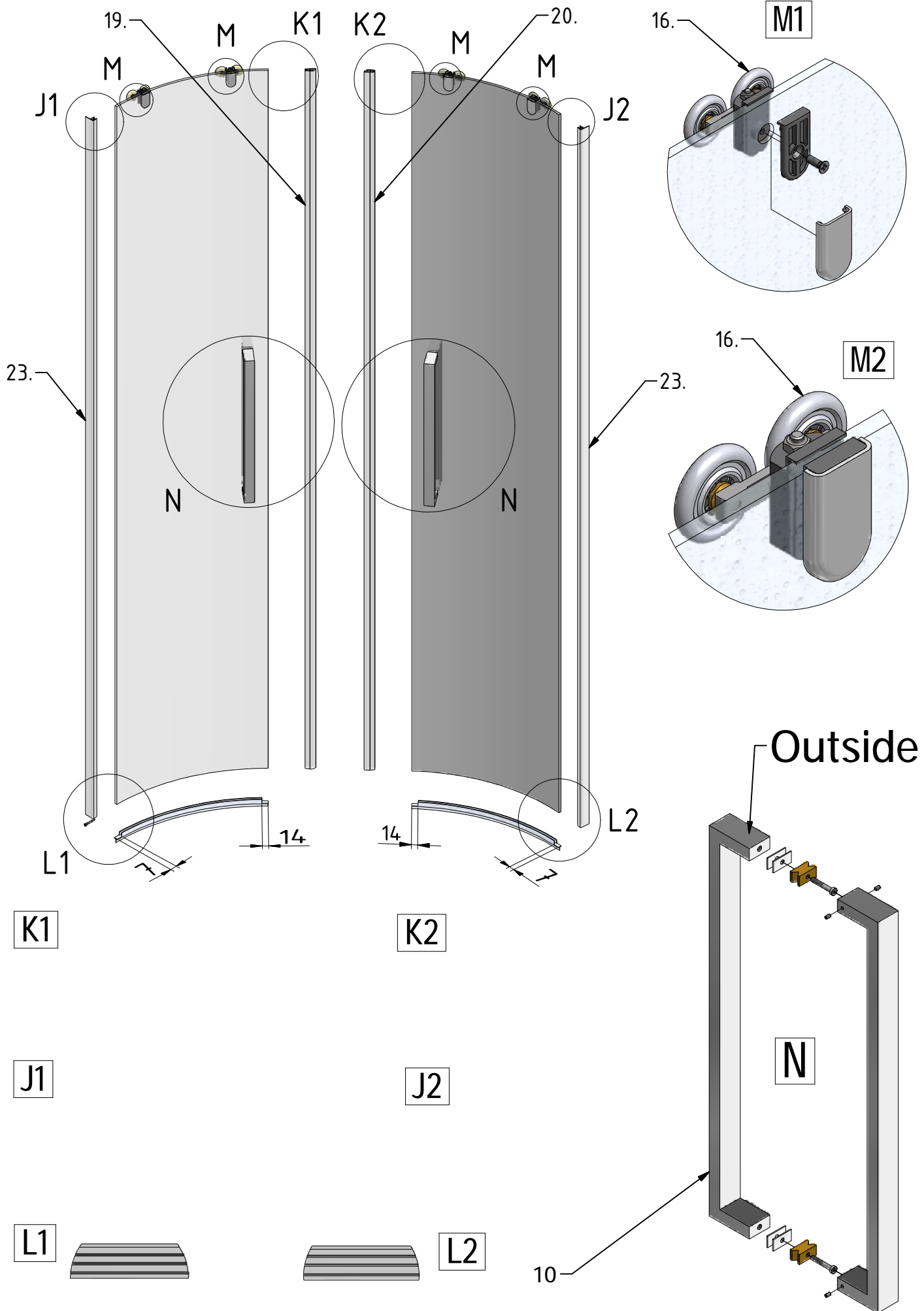


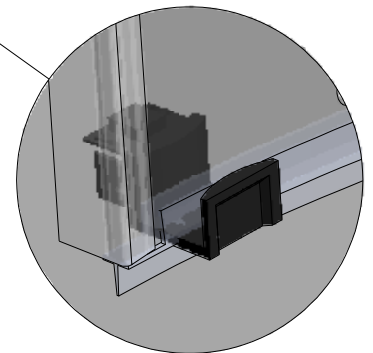
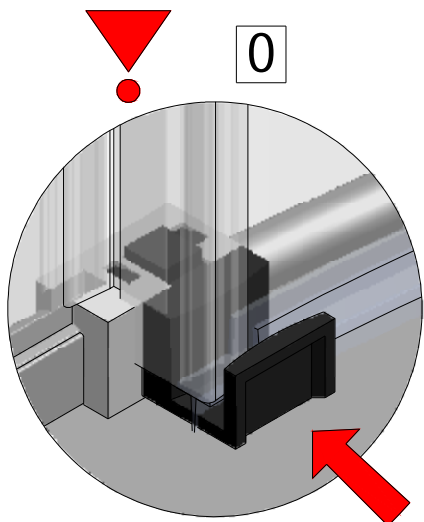


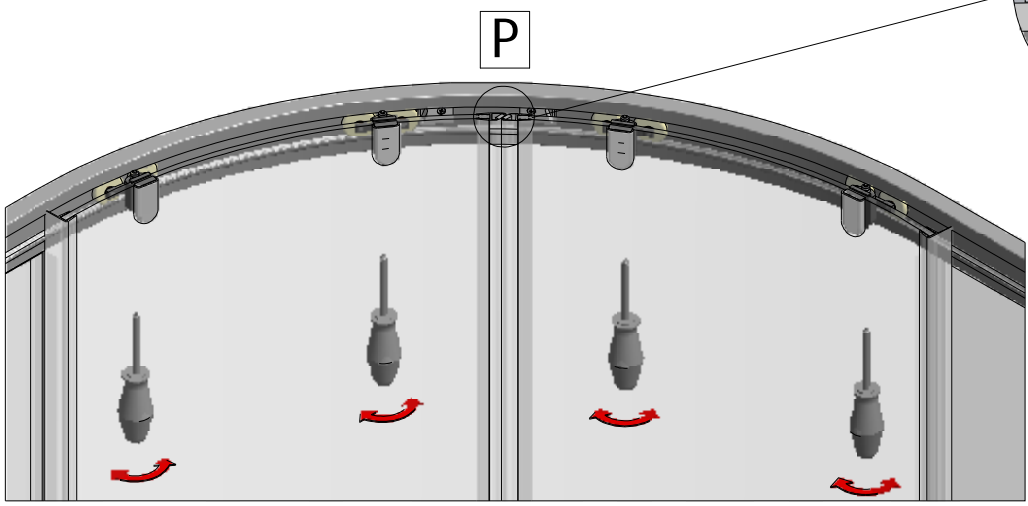
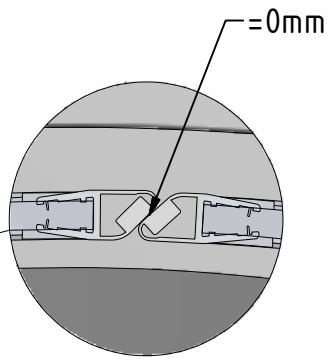
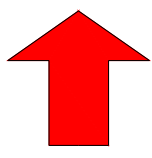
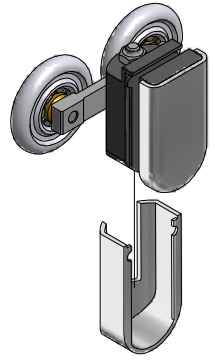
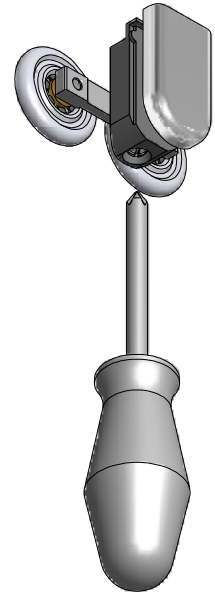
I1

I2

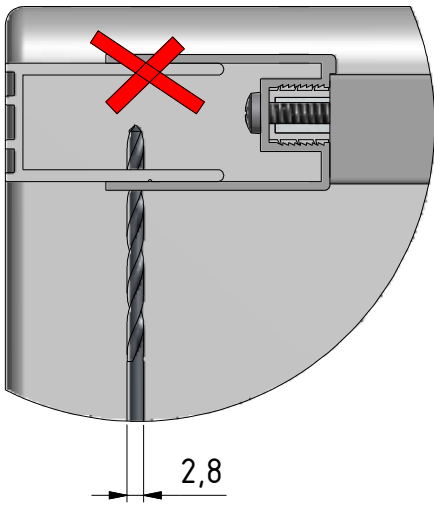




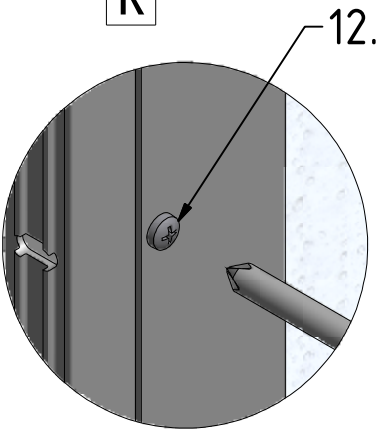




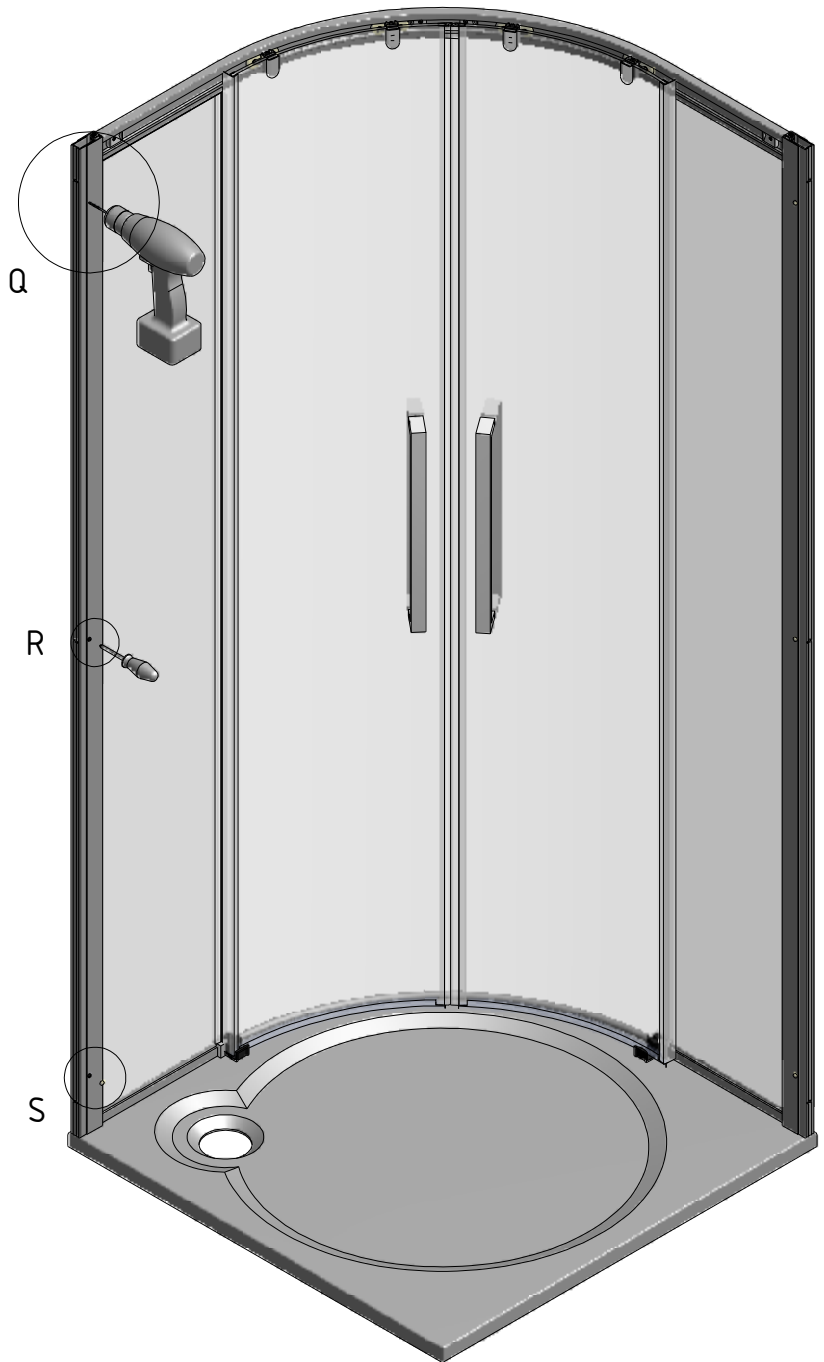
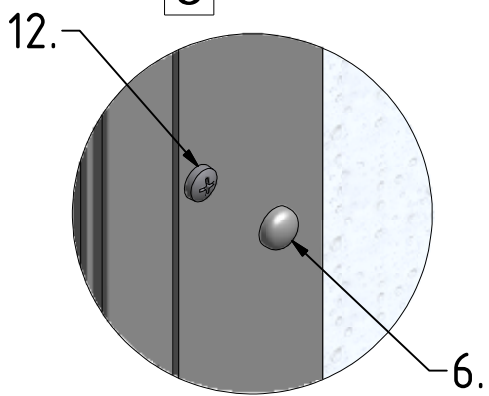
Q

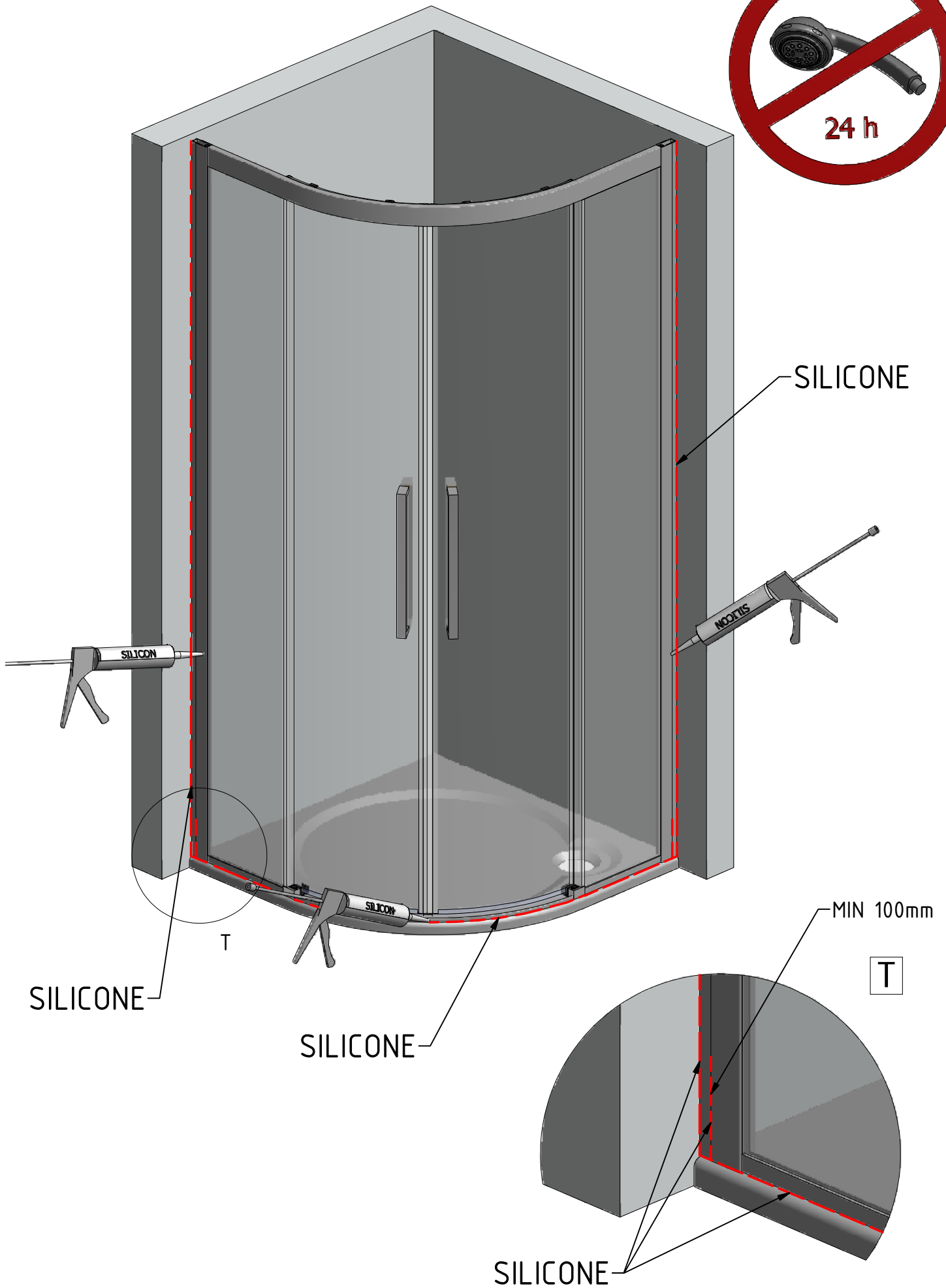


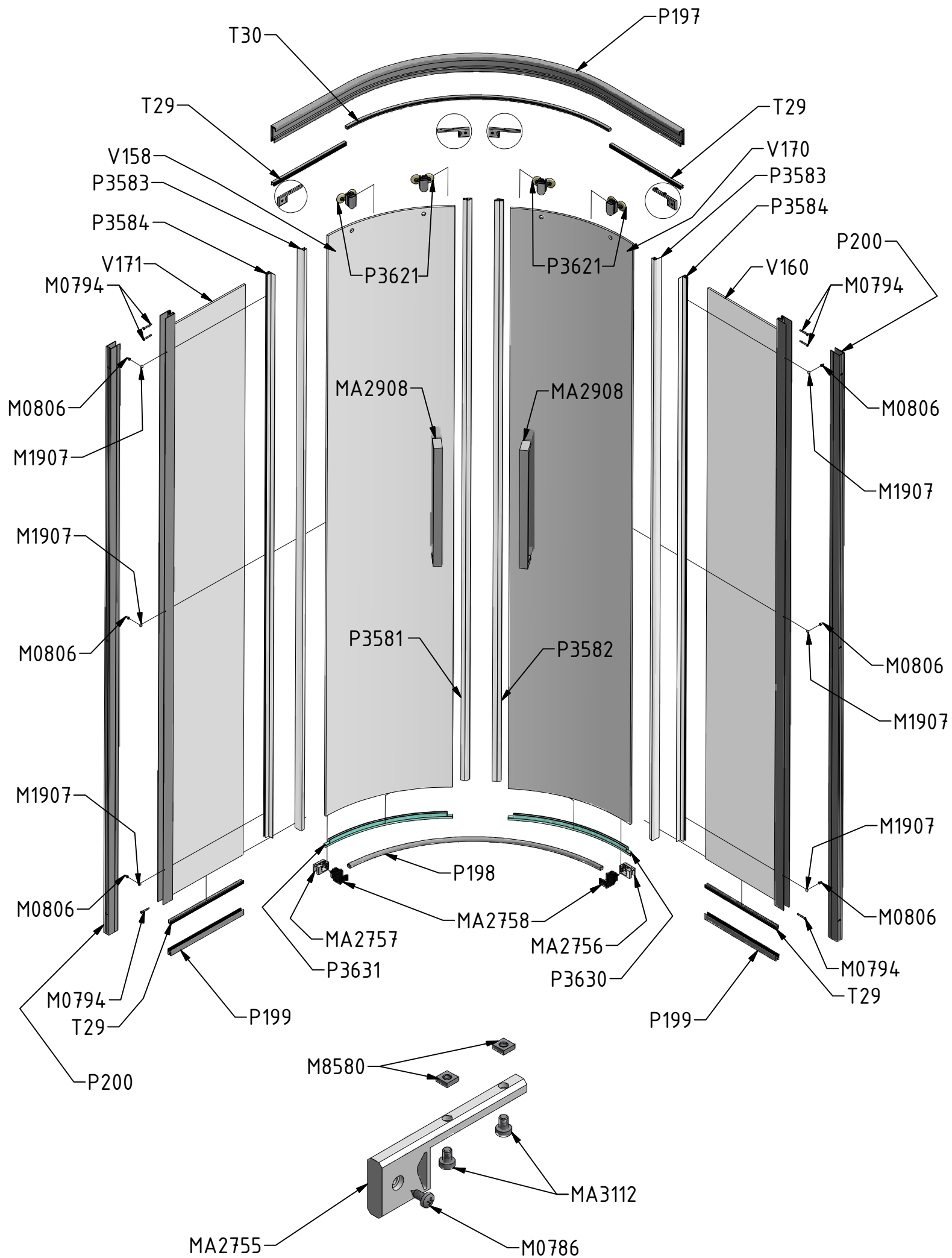
R



S









P197	900	black	P3625
	1000	black	P3627
	900	brillant	P3624
	1000	brillant	P3626

P198	900;1000	black	P3629
	900;1000	brillant	P3628

P199	900	black	P3509
	1000	black	P3513
	900	brillant	P3508
	1000	brillant	P3512

P200		black	P3485
		brillant	P3484

T29			ND01-3225
-----	--	--	-----------

T30			ND01-3226
-----	--	--	-----------

V158	900;1000	clear glass	ND02-0702
------	----------	-------------	-----------

V170	900;1000	clear glass	ND02-0703
------	----------	-------------	-----------

V160	900	clear glass/black	ND03-0598-05-02
	1000	clear glass/black	ND03-0599-05-02
	900	clear glass/brillant	ND03-0602-00-02
	1000	clear glass/brillant	ND03-0603-00-02

V171	900	clear glass/black	ND03-0600-05-02
	1000	clear glass/black	ND03-0601-05-02
	900	clear glass/brillant	ND03-0604-00-02
	1000	clear glass/brillant	ND03-0605-00-02